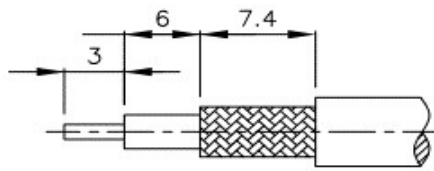


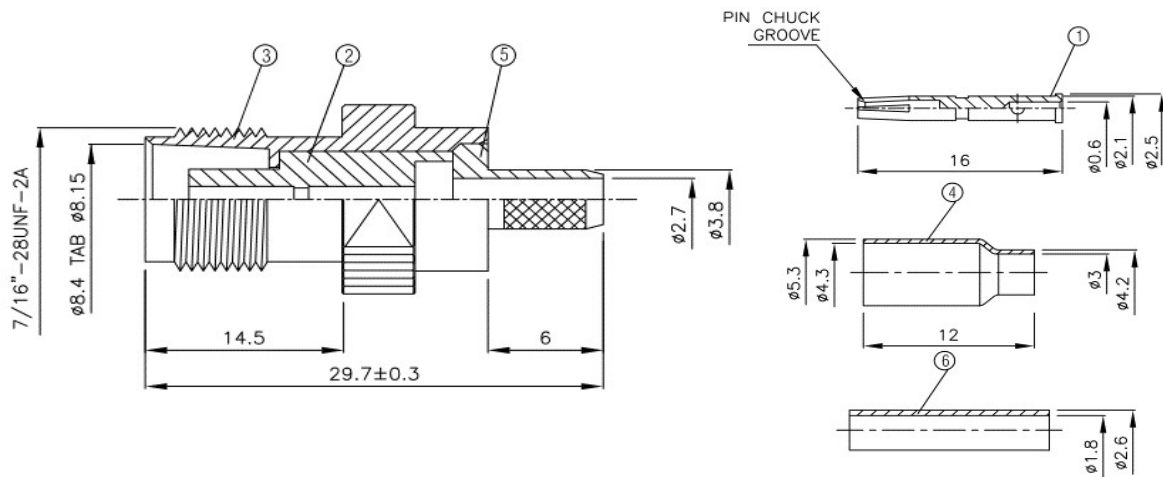
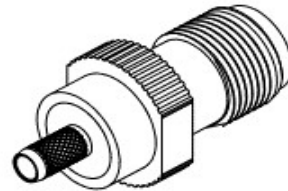
# T-516-C

## TNC Kupplung crimp

### RG174, RG316



(Recommended Stripping Dimension)



NO	DESCRIPTION	MATERIAL	Q' TY	FINISH
1	PIN	BRASS	1	GOLD
2	INSULATION	DELIN	1	DELIN
3	BODY 1	BRASS	1	NICKEL
4	RING	BRASS	1	NICKEL
5	BODY 2	BRASS	1	NICKEL
6	INSULATION	DELIN	1	DELIN